

PALAZZOLO**GRATER/SHREDDER****GS-1 AUTOMATIC MACHINE****1-800-513-6333**743 BARG SALT RUN RD. CINCINNATI, OH 45244
website : www.cheesegrater/shredder.com**TABLE TOP AUTOMATIC MACHINE****MACHINE FEATURES :**

1. GRATE OR SHRED 50 POUNDS OF CHEESE PER MINUTE
2. MACHINE ACCEPTS 6 POUND BLOCKS OF CHEESE
3. PNEUMATICALLY OPERATED PLUNGER (Customer must furnish compressed air)
4. EASY TO SERVICE
5. NO ADJUSTMENTS
6. 2 GREASE FITTINGS INSIDE HOUSING
7. TOLL FREE TECHNICAL SERVICE CALL 1-513-528-7016

BLADE OPTIONS :**SHREDDER BLADE SIZES :**

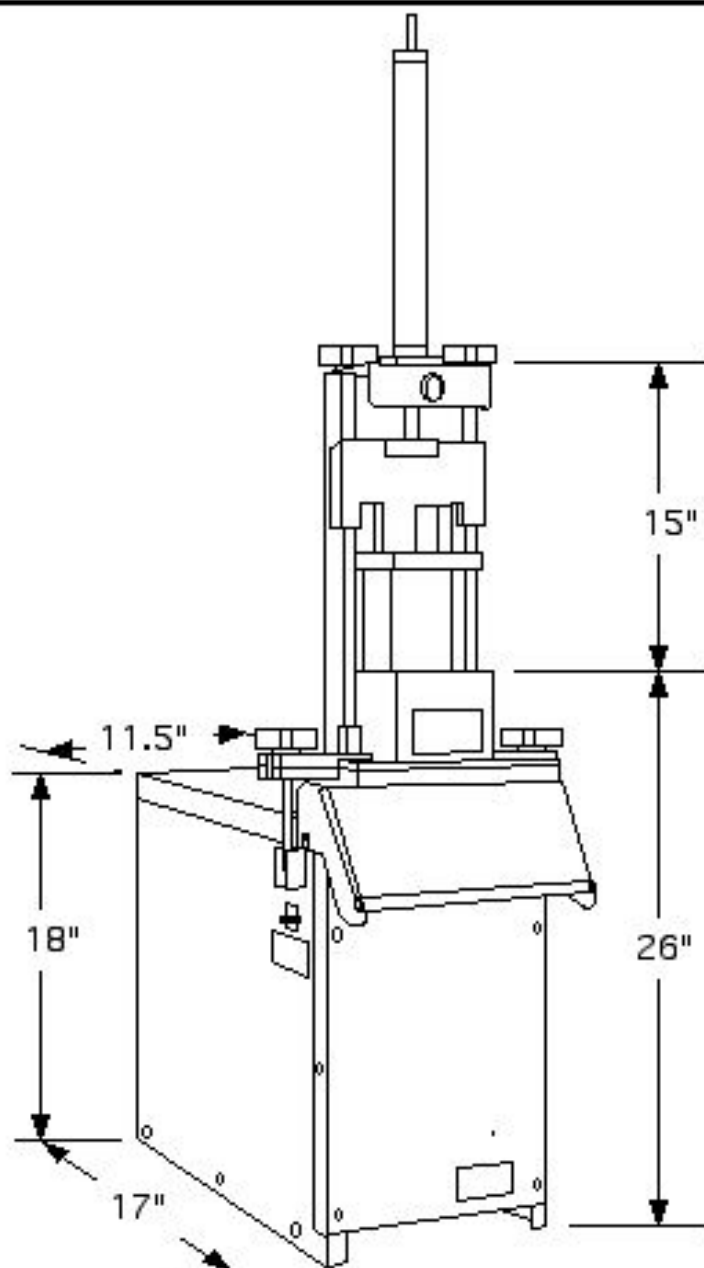
3/32" - 3/16" - 1/4" - 5/16" - 1/2"

GRATER BLADE**MOTOR OPTION :****5 H.P. MACHINE**

Machine order includes 2 blades of your choice

MACHINE WARRANTY :

- 90 DAYS ON LABOR AND ELECTRICAL SWITCHES
- 1 YEAR REPLACEMENT OR REPAIR ON MOTOR FROM BALDOR ELECTRIC CO.
- 2 YEARS REPLACEMENT ON ALL OTHER PARTS EXCEPT BLADES

**SPECIFICATIONS* :**

Motor	Shred/Min	Blade rpm	Depth	Width	Height	Weight	Volts	Amps	Phase
5 H.P. 60 HZ	50 Lbs.	863 rpm	22.5"	15"	26"	175 Lbs.	208/230	15/13.2	3
AIR DRIVE UNIT	Air Usage - 2 cfm/70 psi		6.5"	8.5"	38"	20 Lbs.			

ELECTRICAL OUTLET REQUIREMENTS :

5 H.P. Motor	208/230 volt	Plug not furnished	3 phase
--------------	--------------	--------------------	---------

* Specifications subject to change without notification.

PATENTED • NSF • ETL • MADE IN THE USA