

PALAZZOLO

GRATER/SHREDDER

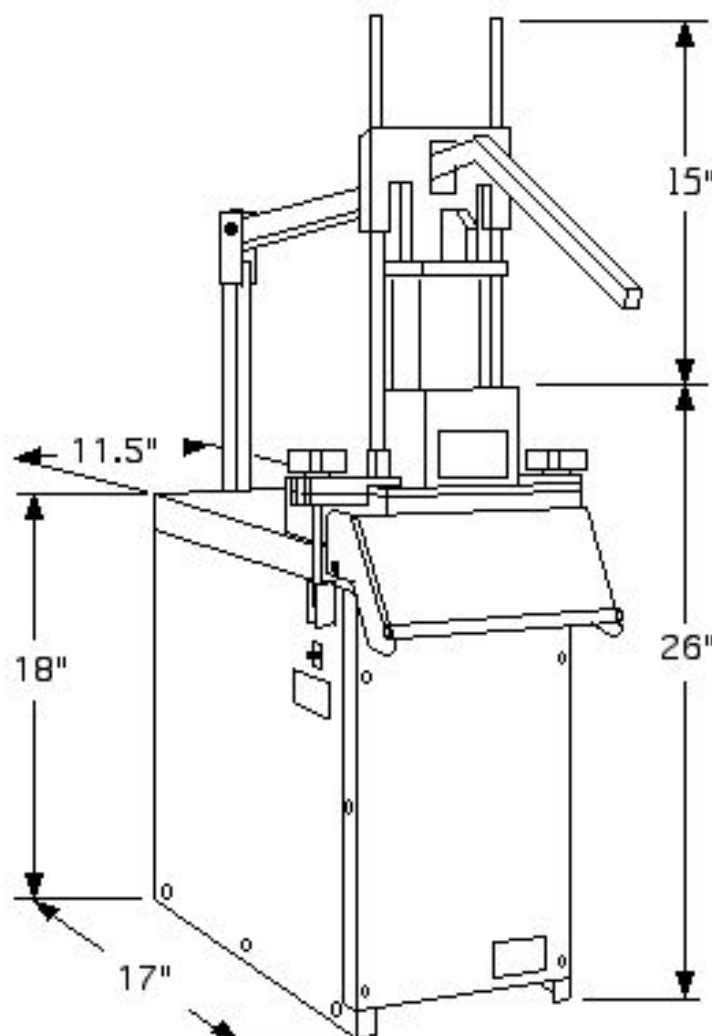
GS-1 MANUAL MACHINES

1-800-513-6333

743 BARG SALT RUN RD CINCINNATI, OHIO 45244.

website : www.cheesegratershredder.com

TABLE TOP MANUAL MACHINE



MACHINE FEATURES :

1. GRATE OR SHRED 25-35 POUNDS OF CHEESE PER MINUTE
2. MACHINE ACCEPTS 6 POUND BLOCKS OF CHEESE
3. EASY TO SERVICE
4. NO ADJUSTMENTS
5. MINIMUM MAINTENANCE
6. TOLL FREE TECHNICAL ASSISTANCE CALL 1-800-513-6333

BLADE OPTIONS :

SHREDDER BLADE SIZES:

3/32" - 3/16" - 1/4" - 5/16" - 1/2"

GRATER BLADE

MOTOR OPTIONS :

- 1-1/2 H.P. MACHINE
- 2 H.P. MACHINE
- 3 H.P. MACHINE

Machine order includes 1 blade of your choice

MACHINE WARRANTY :

- 90 DAYS ON LABOR & ELECTRICAL SWITCHES
- 1 & 2 YEARS REPLACEMENT OR REPAIR ON MOTORS FROM MOTOR MANUFACTURERS
- 2 YEARS REPLACEMENT ON SHEET METAL AND CASTINGS PARTS EXCEPT BLADES

SPECIFICATIONS* :

Motor Options	Shred/Min.	Blade rpm	Depth	Width	Height	Weight	Volts	Amps	Phase
1-1/2 H.P. 60 hz	25-30 lbs.	583 rpm	23.5"	15"	41"	145 lbs.	115	15.2	1
2 H.P. 60 hz	25-30 lbs.	583 rpm	23.5"	15"	41"	147 lbs.	230	10	1
2 H.P. 60 hz	25-30 lbs.	583 rpm	23.5"	15"	41"	145 lbs.	208/230	6	3
3 H.P. 60 hz	30-35 lbs.	863 rpm	23.5"	15"	41"	158 lbs.	208/230	8.2	3

ELECTRICAL OUTLET REQUIREMENTS :

1-1/2 H.P. Motor	115 volt	20 amp outlet NEMA 5-20R	1 Phase
2 h.p. Motor	230 volt	15 amp outlet NEMA 6-15R	1 Phase
2 H.P. & 3 H.P. Motors	208/230 volt	Plug not furnished	3 Phase

* Specifications subject to change without notice

PATENTED

● HSI

● ETL

● MADE IN USA